

OXYFUME 2002 STERILANT PROPERTIES

Oxyfume 2002 (EO/HCFC-22/HCFC-124)

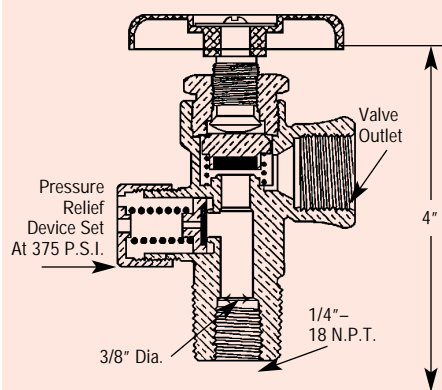
| | |
|---|---|
| Chemical Formula | C ₂ H ₄ O/CHClF ₂ /CHClF-CF ₃ |
| EO % by Weight | 10.0 |
| EO % by Volume | 22.7 |
| Typical Chamber Concentration (mg/l) | 600 |
| Typical Chamber Exposure Pressure (psig) | 10 – 12 |
| Average Molecular Wt. | 99.92 |
| Flammability, D.O.T. | Nonflammable |
| Vapor Pressure (psig) | |
| @ 50°F |30 |
| @ 70°F |48 |
| @ 90°F |70 |
| Boiling Point (°F) | |
| @ 1 Atm |-6.8 |
| Color | Colorless |
| Odor | Slight ethereal |
| Critical Temperature (°F) | 260 |
| Critical Pressure (psig) | 586 |
| Specific Volume (cu. ft./lb) Vapor @ 70°F, and 1 Atm | 3.32 |
| Specific Gravity of Liquid @ 70°F, and 1 Atm | 1.27 |
| Specific Gravity of Vapor (Air = 1) @ 70°F, and 1 Atm | 3.47 |
| Heat of Vaporization (BTU/lb) @ boiling point | 89.9 |

All statements, information, and data given herein are believed to be accurate and reliable but are presented without guaranty, warranty or responsibility of any kind, expressed or implied. Statements or suggestions concerning possible use of our products are made without representation or warranty that any such use is free of patent infringement, and are not recommendations to infringe any patent. The user should not assume that all safety measures are indicated or that other measures may not be required.

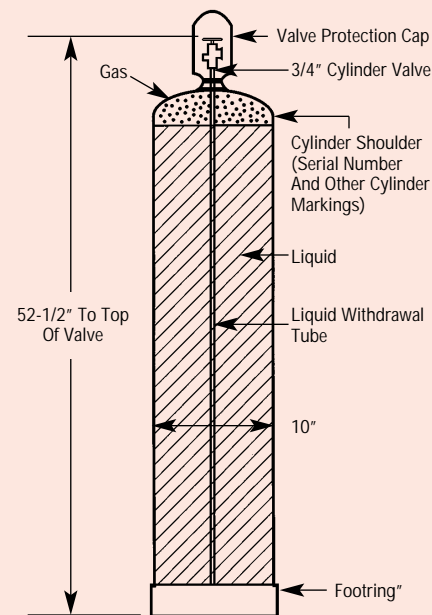
CYLINDER DESCRIPTION

- The most common style container in which Oxyfume 2002 Sterilant is supplied is an FC style cylinder.
- The FC style cylinder is manufactured to D.O.T. 4BA300 specifications.
- Net contents: 135 pounds.
- Gross Weight: 195 pounds (approximate).
- Materials of construction:
Cylinder made of steel.
Liquid withdrawal tube of stainless steel—reduces tube breakage and minimizes polymer growth
Brass valve—eliminates rust and corrosion
- 375 psig pressure relief device.
- Gas tight plug in the valve –prevents gas escaping in the event a valve is accidentally opened or leaks.

LIQUID WITHDRAWAL VALVE



FC STYLE OXYFUME 2002 CYLINDER (CROSS SECTION)



CYLINDER CONNECTIONS

- Cylinder Valve – CGA 510 connection (left-handed thread). Use brass nut and nipple connectors.

Material of Body ConstructionBrass

Pressure Relief Device375 POP Safety

Valve TypeDiaphragm

- In sterilant filling plants, 3,000 psig double braided, stainless steel, PTFE-lined 1/2" flexible hoses are used for liquid transfer

Honeywell

Specialty Materials

Honeywell Fluorine Products
101 Columbia Road
Morristown, NJ 07962

Phone: 1-800-631-8138
Fax: 1-973-455-6394

www.honeywell-oxyfume.com